

## Stereochemistry of Polypeptide Chain Configurations

Various types of polypeptide chain configurations have been proposed in recent years for proteins as well as polypeptides, e.g. the well-known  $\alpha$ -helix for the k-m-e-f proteins, the extended  $\beta$ -chain for silk fibroin, and various structures for simple cyclic peptides having 6 to 10 residues. However, there appears to be no analytical method of writing down these configurations. In connection with the studies on collagen carried out in this laboratory (Ramachandran & Sasisekharan, 1961*a,b*; Ramachandran, Sasisekharan & Thathachari, 1962), the authors worked out a convenient notation of this type and this is briefly described here. Fuller details are being published elsewhere (Ramachandran, 1962; Sasisekharan, 1962; Ramakrishnan, 1963).

In general, when working out the structure of a long chain polymer, the two types of data to be known are (a) the configuration of the monomer unit and (b) the relative orientations of the linked units at each linkage. In the case of polypeptides,

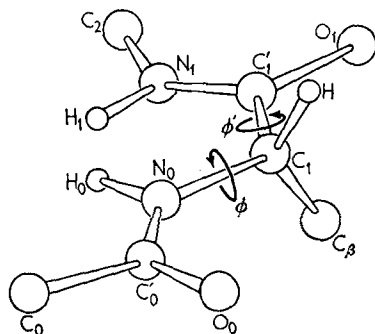


FIG. 1. Standard configuration of two peptide residues linked at an  $\alpha$ -carbon atom, in which the planes of both the peptide residues coincide with the plane  $N_0-\alpha C_1-C_1'$ . The  $\beta$ -carbon position corresponds to that of residues of L-configuration.

the dimensions of the peptide group itself are very well known, and the generally accepted values are those of Pauling and Corey (PC parameters). In a recent analysis made by the authors, of a number of amino acid and di- and tripeptide structures worked out after the publication of the Pauling–Corey coordinates, it was found that these structures fully confirmed the PC parameters. So also, the planarity of the atoms in the group  $[\alpha C-C'O-NH-\alpha C]$  is well substantiated, although slight variations of the order of 0.1 Å are observed in certain structures. Consequently, the planar peptide (or amide) group with the PC values was used in all the studies reported below. However, there seems to be a definite probability of the H atoms in the NH group being out of plane.

When two such peptide groups are linked at an  $\alpha$ -carbon atom ( $\alpha C$ ), it is possible to have a rotation of the groups around the bonds  $N-\alpha C$  and  $\alpha C-C'$ . Consequently the relative configuration of the two groups about the  $\alpha$ -carbon atom can be specified by two parameters  $\phi$  and  $\phi'$ , which are the angles by which they are rotated about the bonds  $N-\alpha C$  and  $\alpha C-C'$  respectively from a standard configuration. The conventions we have adopted for the standard configuration ( $\phi = \phi' = 0^\circ$ ) and for the positive

sense of rotation for the two angular parameters  $\phi$  and  $\phi'$  are indicated in Fig. 1. When there are a number of peptide groups linked via  $\alpha$ -carbon atoms  $C_1, C_2$ , etc., the configuration of the chain as a whole can be specified by the parameters  $(\phi_1, \phi'_1), (\phi_2, \phi'_2)$ , etc., and the notation is equally valid for a cyclic polypeptide. Mizushima & Shimanouchi (1961) have proposed a similar notation; however, they allow for a rotation which distorts the planar peptide group, and therefore require three angles  $\theta_1, \theta_2, \theta_3$ . The relations between their notation and that used in the present investigation are as follows:  $\theta_1 = 180^\circ, \theta_2 = \phi', \theta_3 = \phi + 180^\circ$ .

It is quite clear that all values of  $\phi$  and  $\phi'$  may not be allowed owing to the possible short contacts between the atoms in the adjacent residues. When these are worked out, it is found that there are whole regions of forbidden values for  $\phi$  and  $\phi'$ . However, the demarcation of these regions depends on the choice of the permitted van der Waals contact distances. Two such sets, termed 'normally allowed' and 'outer limit', were worked out from a detailed analysis of the available structural data on various organic compounds, including in particular amino acids and peptides (Table 1).

TABLE 1  
*Minimum contact distances assumed*

Contact	Normally allowed (Å)	Outer limit (Å)
C ... C	3.20	3.00
C ... O	2.80	2.70
C ... N	2.90	2.80
C ... H	2.40	2.20
O ... O	2.80	2.70
O ... N	2.70	2.60
O ... H	2.40	2.20
N ... N	2.70	2.60
N ... H	2.40	2.20
H ... H	2.00	1.90

On the basis of these, the permitted ranges for  $\phi$  and  $\phi'$  shown in Fig. 2 were obtained, corresponding to an angle of  $110^\circ$  between the bonds  $N_0-\alpha C_1$  and  $\alpha C_1-C'_1$  at the  $\alpha$ -carbon atom. In working these out, all the contacts between the atoms in two neighbouring peptide groups were taken into account, including the  $\beta$ -carbon atoms. If the angle at the  $\alpha$ -carbon atom is varied, say from  $105^\circ$  to  $115^\circ$ , then the allowed regions are altered slightly.

The available data on known di- and tripeptide structures and polypeptide chains were examined to see whether their configurations occurred within the allowed ranges of  $(\phi, \phi')$ . It was in fact found that they all occurred within the outer limits but that, in addition, there was a clustering of the configurations near certain specific types. The main conclusions were the following.

(a) Invariably, whenever the  $\alpha$ -carbon concerned belonged to a glycyl residue, i.e. when it had no  $\beta$ -carbon atom of a side-chain attached to it, the configuration was close to  $(0^\circ, 180^\circ)$ .

(b) On the other hand, when there was a  $\beta$ -carbon atom, the clustering was close to  $(120^\circ, 150^\circ)$ . In fact, the value of  $\phi' \simeq 150^\circ$  was invariably found for the carboxyl group in almost all amino acid structures with a  $\beta$ -carbon atom.

(c) The silk structure, though close to the extended chain, is not fully extended. Its configuration ( $40^\circ$ ,  $140^\circ$ ) is slightly shifted from the pure glycine configuration ( $0^\circ$ ,  $180^\circ$ ) owing to the presence of alanine and other residues.

(d) Both the right- and left-handed  $\alpha$ -helices lie within the outer limits but outside the inner limits. Since  $\phi \simeq 120^\circ$  for a right-handed  $\alpha$ -helix, a proline side-chain can be attached readily to this helix. However, the resulting short contacts between the side-chain atoms and those of the backbone in the helix lead to a break in the helix direction. The hydrogen bonds involving the NH groups of the two succeeding residues are broken, but thereafter the helix can re-form. The angle between the straight helical portions on either side of a proline residue cannot be less than about  $35^\circ$ . In fact, even

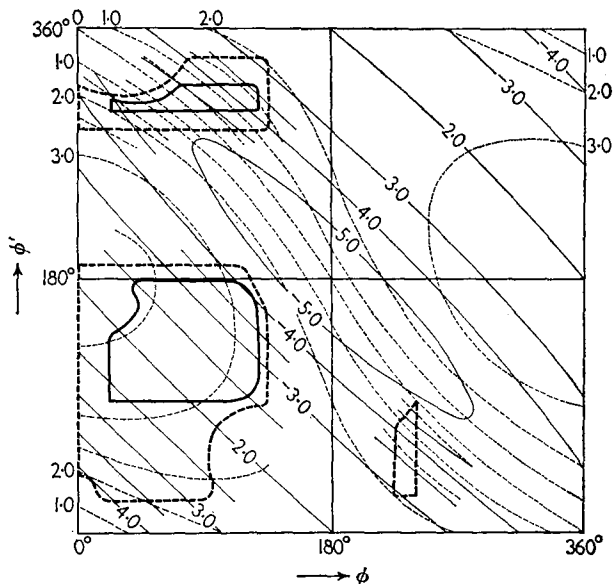


Fig. 2. The fully allowed (—) and outer limit (---) regions of  $(\phi, \phi')$  for angle  $N-\alpha C-C' = 110^\circ$  along with the configurations of various known di-, tri- and polypeptide and protein structures.

at  $35^\circ$ , some short contacts occur between the backbone atoms of the peptide residue containing the proline ring and its neighbouring residue, which may, however, be relieved by distorting the residues from their planar configuration.

On the other hand, the angle  $\phi$  is close to  $240^\circ$  for a left-handed  $\alpha$ -helix and a proline residue cannot be attached to this helix (in the L-configuration) without very considerable distortion of the helix.

From a careful consideration of the short contacts in  $\alpha_R$  and  $\alpha_L$ , it is found that right-handed  $\alpha$ -helices are more stable than the left-handed ones. The configuration of the  $\pi$ -helix also lies only within the outer limits and it also has every NH hydrogen bonded to a CO as in the  $\alpha$ -helix. Hence it is quite likely that the  $\pi$ -helix too will be found in some polypeptides. It is interesting to note that no simple peptide which has been studied so far by X-ray methods has a configuration near that of the  $\alpha$ -helix, which corresponds to ( $130^\circ$ ,  $310^\circ$ ). This shows that the  $\alpha$ -helical configuration is stable only because of the large number of hydrogen bonds, and that if these were disrupted the chain would immediately collapse.

(e) On the other hand, the configuration of the individual chains in the collagen helix (near  $120^\circ$ ,  $150^\circ$ ) is a very natural one. It is therefore understandable why three such chains can come together and form a triple chain. So also, the configuration  $\phi = 120^\circ$  is demanded for an *imino* acid residue (because of the N being linked to  $\alpha C$  via the five-membered ring) and the value  $\phi' = 150^\circ$  is a natural one for all amino acids, as mentioned earlier. The large proportion of imino acid residues, which is characteristic of collagen, is therefore another factor contributing to the stability of the collagen triple chain.

(f) The right-handed  $\gamma$ -helix lies outside even the outer limits and the two contacts  $C_\beta \dots C'_0$  and  $C_\beta \dots O_0$  are very bad, being as short as 2.75 and 2.45 Å. Thus the

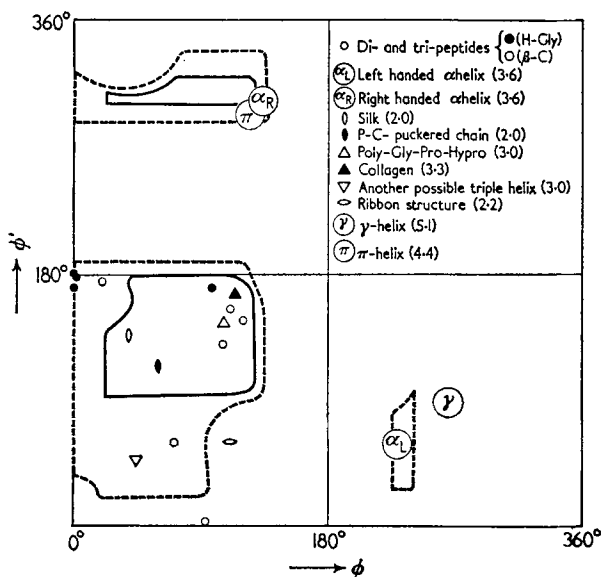


Fig. 3. Contours of constant  $n$  (—) and constant  $h$  (---) corresponding to the angle  $N-\alpha C-C' = 110^\circ$ . The boundaries of the fully allowed and outer limit regions are also shown.

$\gamma$ -helix is unlikely to occur in polypeptide structures. The left-handed  $\gamma$ -helix is equally bad.

(g) In the so-called ribbon structure ( $2 \cdot 2_7$  helix (Donohue, 1953), see Fig. 2), although the configuration lies just outside the outer limit, the short contact which occurs in it, namely  $N_0 \dots O_1 = 1.90$  Å, is involved in the hydrogen bond  $N_0-H_0 \dots O_1$ , and is therefore not objectionable. Thus it is likely that this structure will be found in some compounds. Very recent X-ray studies made in Japan (Kakudo, private communication) indicate that this configuration occurs twice in a tetrapeptide structure.

(h) There is another possible triple helix ( $\nabla$  of Fig. 2) which is within the outer limit region. Although this cannot accommodate a pyrrolidine ring, it can form inter-chain hydrogen bonds similar to the collagen helix. This structure deserves further study.

Analytical formulae have also been worked out for calculating the number of residues per turn ( $n$ ) and the residue height ( $h$ ) of the helical structure which is formed when the same configuration ( $\phi$ ,  $\phi'$ ) is repeated at every  $\alpha$ -carbon atom in a polypeptide chain.

The data thus obtained for the angle  $N-\alpha C-C' = 110^\circ$  are shown graphically in Fig. 3 along with the fully allowed and outer limit regions. From a study of these curves, it has been possible to show why collagen cannot be stretched by more than a few per cent, although the residue height of near 3 Å is much less than the residue height of 3.6 Å for a fully extended structure. Complete numerical data of  $n$  and  $h$  corresponding to values of  $105^\circ$ ,  $110^\circ$  and  $115^\circ$  for this angle  $N\hat{\alpha}CC'$  will be published elsewhere (Ramakrishnan, 1963).

It should be mentioned that the above discussions all relate to the natural configuration of L-polypeptides. When D-amino acids are present, the allowed configurations will correspond to  $(-\phi, -\phi')$ , where  $(\phi, \phi')$  refers to the L-amino acid. The application of these ideas to small cyclic peptides is likely to be rewarding.

Department of Physics  
University of Madras  
Madras 25, India

G. N. RAMACHANDRAN  
C. RAMAKRISHNAN  
V. SASISEKHARAN

Received 27 December 1962

#### REFERENCES

- Donohue, J. (1953). *Proc. Nat. Acad. Sci., Wash.* **39**, 470.  
Mizushima, S. & Shimanouchi, T. (1961). *Advanc. in Enzymol.* **23**, 1.  
Ramachandran, G. N. (1962). In *Collagen*, ed. by N. Ramanathan, p. 3. New York: John Wiley.  
Ramachandran, G. N. & Sasisekharan, V. (1961a). *Nature*, **190**, 1004.  
Ramachandran, G. N. & Sasisekharan, V. (1961b). *Curr. Sci.* **30**, 127.  
Ramachandran, G. N., Sasisekharan, V. & Thathachari, Y. T. (1962). In *Collagen*, ed. by N. Ramanathan, p. 81. New York: John Wiley.  
Ramakrishnan, C. (1963). *Proc. Ind. Acad. Sci. A*, in the press.  
Sasisekharan, V. (1962). In *Collagen*, ed. by N. Ramanathan, p. 39. New York: John Wiley.